



Fred **OVERSPRAY MASTER™**



Fred Overspray Master

With 10' capture arm
1200 CFM

Benefits:

- Capture-at-source for Cleaner Air
- Compact, portable, and easy to operate
- Complies with NESHAP 319

Options:

- Explosion proof motor and starter
- 6', 10' or 13' capture arm

The FRED Overspray Master™ by Diversitech is a portable paint fume control system that is designed to capture and filter overspray from touch up painting. The compact design saves time and money by allowing touch paint work to be done safely where required.

The portable paint fume extraction unit includes a hood mounted paint pocket arrestor prefilter, four MERV 11 primary filters and 2 extruded carbon after filters for VOC fumes. The filters in the unit comply with the NESHAP 319 standard for toxic chromate coatings and primers, commonly found in aerospace painting applications.

The Overspray Master comes with a 10' Extractor capture arm, with external pantograph style articulation ensuring ultra-smooth repositioning and protecting the arm's components from wear and tear. Available arm lengths include 6', 10', 13' and dual arm configurations.

Features:

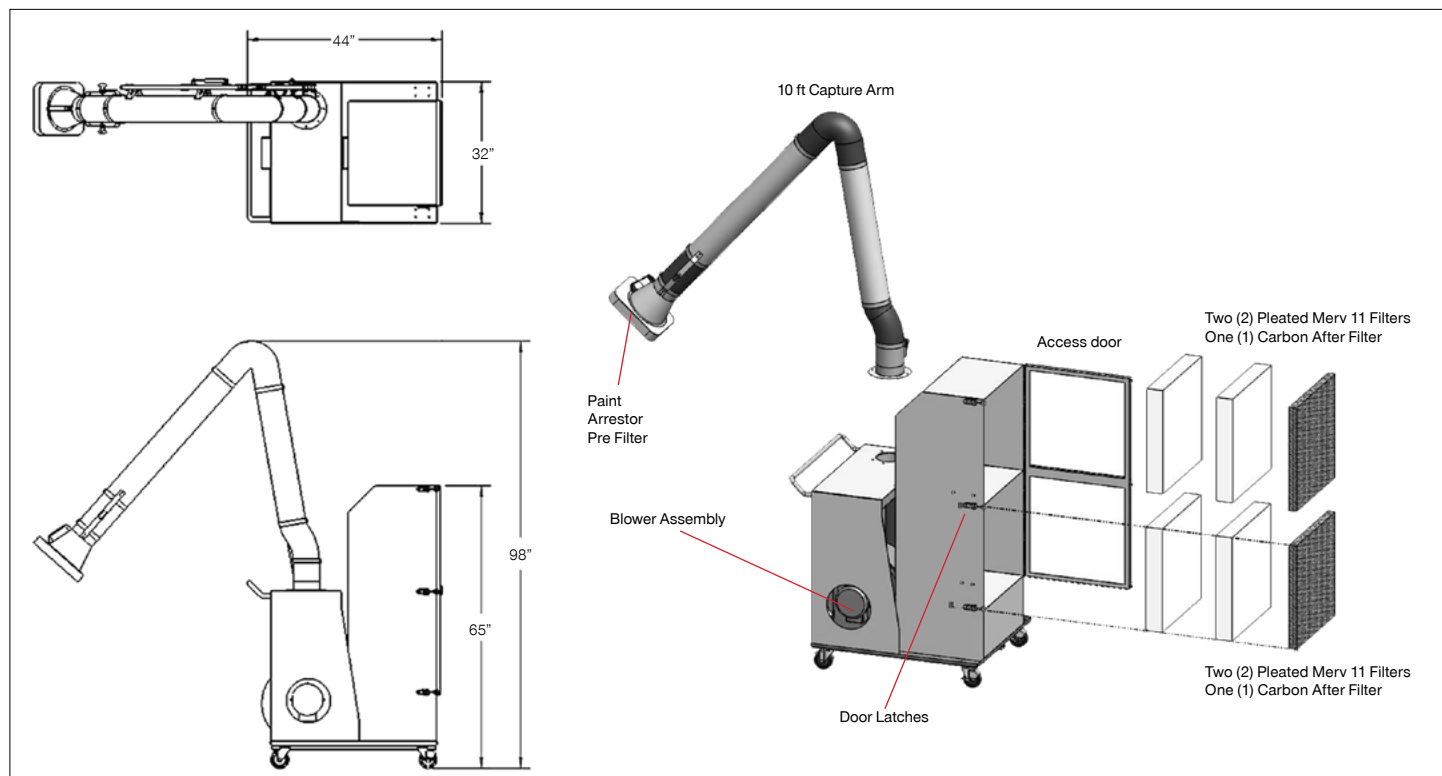
- Flexible 10' externally articulated capture arm
- 1200 CFM of Airflow
- 1.5 HP, 120v/1/60hz blower
- 1 x Paint pocket filter on hood
- 4 x MERV 11 pleated panel filters
- 2 x 24"x 24"x2" carbon after filter
- 15" power cord & casters



For touch up painting

SPRAY PAINTING • TOUCH UP WORK • ODOR CONTROL

Dimensions



Technical Specifications

Model	Motor (H.P.)	Power		Airflow (CFM)	Primary Filter Type	After Filter Type	Arm Length (ft.)
		Phase (hz)	@120V (amps)				
FRED OVERSPRAY MASTER with externally articulated manual capture arm							
FOM-6	1.5	1P/60Hz	13.2	1200	Merv 11 (4)	Carbon (2)	6
FOM-10	1.5	1P/60Hz	13.2	1200	Merv 11 (4)	Carbon (2)	10
FOM-13	1.5	1P/60Hz	13.2	1200	Merv 11 (4)	Carbon (2)	13

HEAD OFFICE

2500 Alphonse Gariépy
Montreal, QC H8T 3M2

CANADA

Montreal, QC
Toronto, ON



UNITED STATES

Trenton, NJ
Chicago, IL

CONTACT US

Toll Free: 1-800-361-3733
info@diversitech.ca