

# FUME CABINET



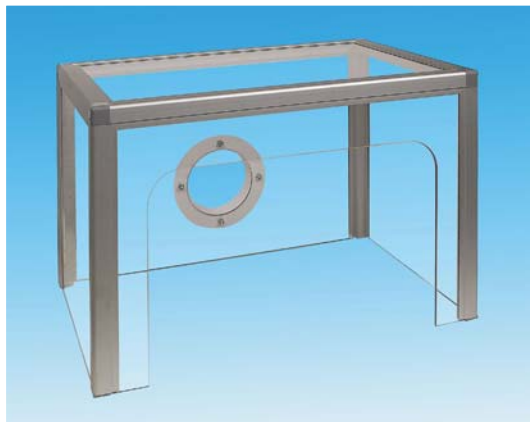
## **DSK** 400, 700

**Fume cabinets for environments where maximum suction efficiency is required.**

Fume cabinet for work with open chemical vessels, setup of chemical apparatus, gluing, etc. where several sources of contamination are present.

MOVEX fume cabinets are manufactured with transparent sheets and stable aluminum framing, and thus do not block the work area. It is also easy to move when tasks and locations vary.

The DSK 400 and DSK 700 are produced in two standard sizes. Please contact MOVEX for alternative dimensions and special adaptations.

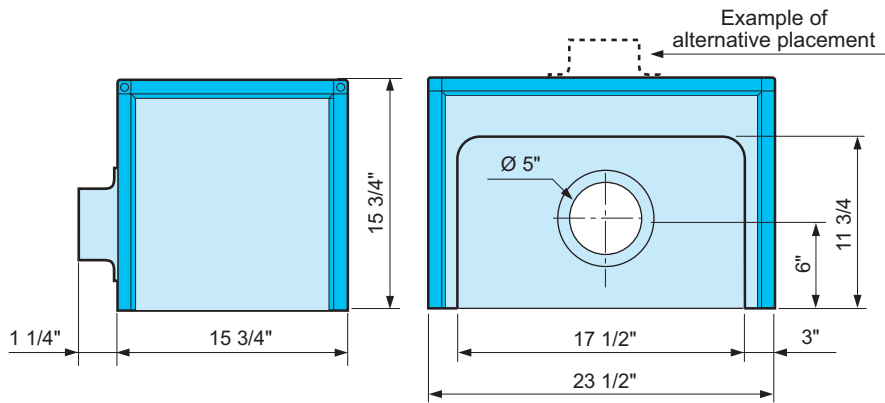


*Movex also offers a range of fans, accessories and automatic control devices for our local extractors.*

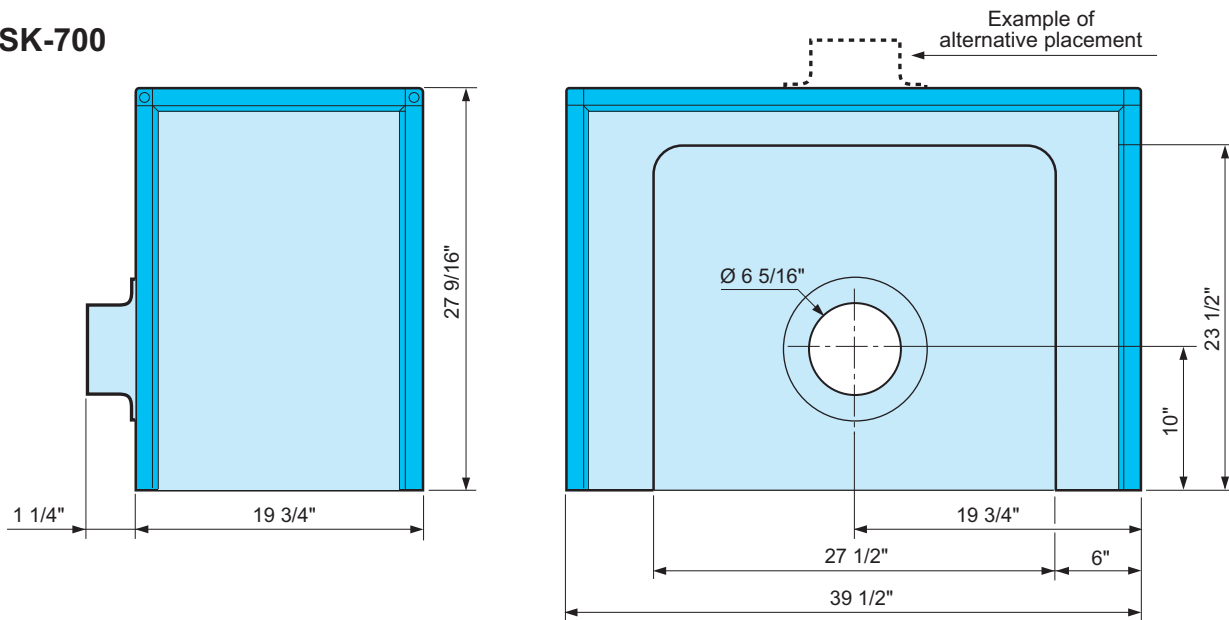
**MOVEX<sup>®</sup>**  
LOCAL EXTRACTOR

Pure advantage

## DSK-400



## DSK-700



### Material

3/16" Vivak PETG sheets  
Anodized aluminum frame

### Extractor

Connected to separate fan or mobile filter type LF 70.

### Standard configuration

Fume cabinet delivered partially assembled.  
Exhaust air connection mounted at rear. For alternative placement, specify when ordering.

### DSK-400

Airflow  
- at 100 F/m front velocity..... 140 Cfm (67 l/s)  
- at 60 F/m front velocity ..... 85 Cfm (40 l/s)  
Connection size ..... Ø 5"  
Volume ..... 25.3 gallon  
Weight ..... 14 lb

### DSK-700

Airflow  
- at 100 F/m front velocity..... 440 Cfm (208 l/s)  
- at 60 F/m front velocity ..... 265 Cfm (125 l/s)  
Connection size ..... Ø 6"  
Volume ..... 92.5 gallon  
Weight ..... 30 lb

# MOVEX® INC.

104 Commerce Drive, Suit C,  
Northampton, PA 18067, USA  
Tel: 610-440-0478 Fax: 610-440-0480  
www.movexinc.com e-mail: info@movexinc.com

Dealer: